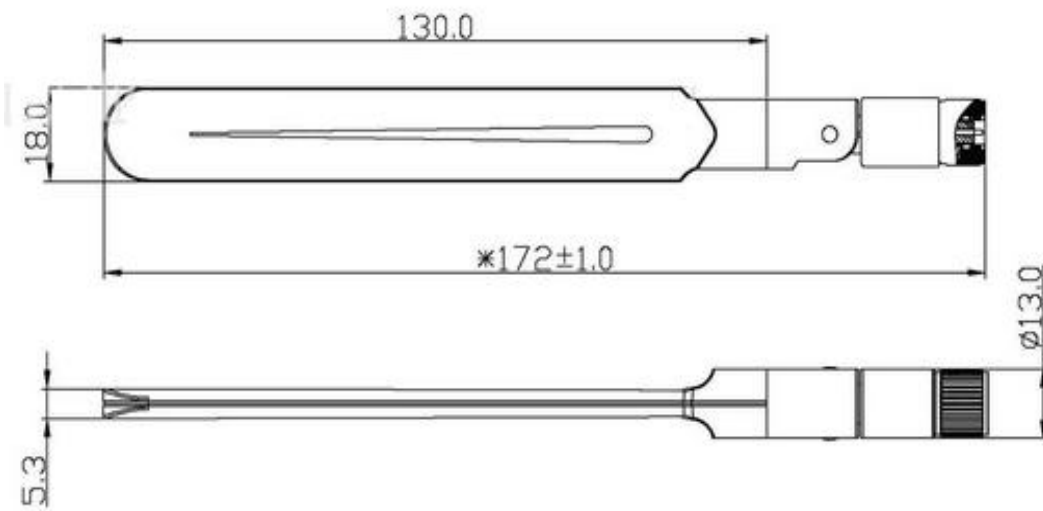


LTE Antenna

SIG913L



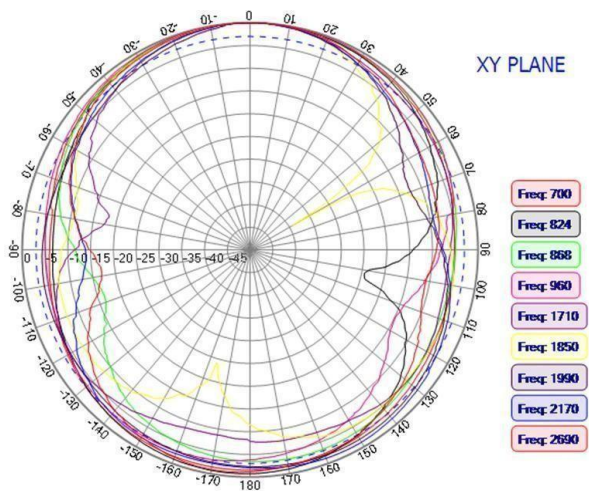
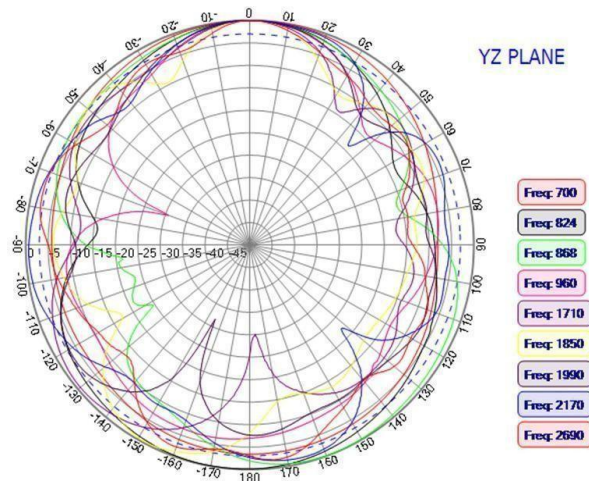
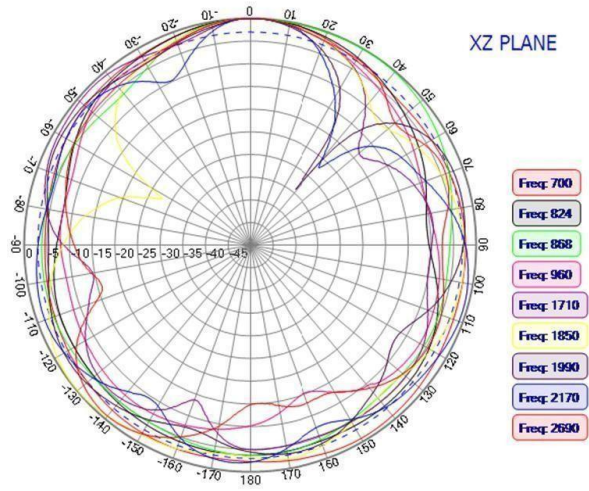
DIMENSIONS



SPECIFICATIONS

Item	Specifications	
Antenna	Frequency Range	698~960MHz/1710~2700MHz
	Polarization	Linear
	Gain	12dBi
	V.S.W.R	<2.0
	Impedance	50Ω
	Connector	SMA male
Environmental	Operating Temperature	-10°C~+60°C
	Vibration	10 to 55Hz with 1.5mm amplitude 2hours
	Environmentally Friendly	ROHS Compliant

Radiation Pattern



V. S. W. R

▶ **TCP1** S11 SWR 1.000/ Ref 1.000

