

10 9 8 7 6 5 4 3 2 1

F

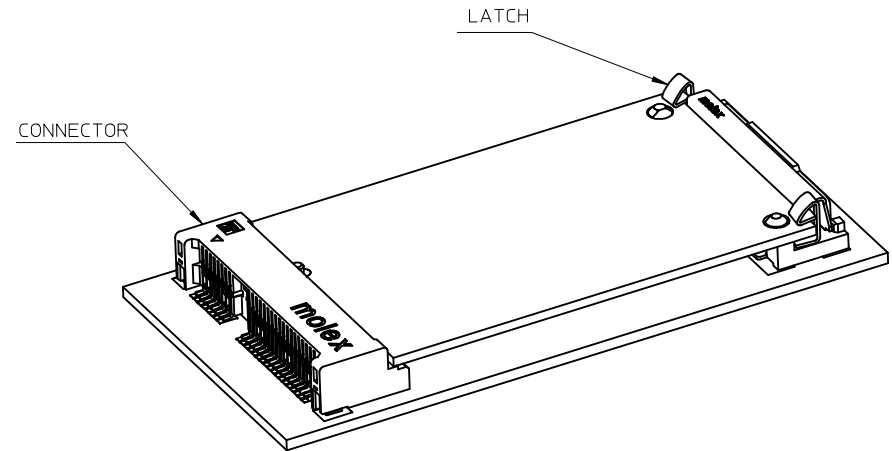
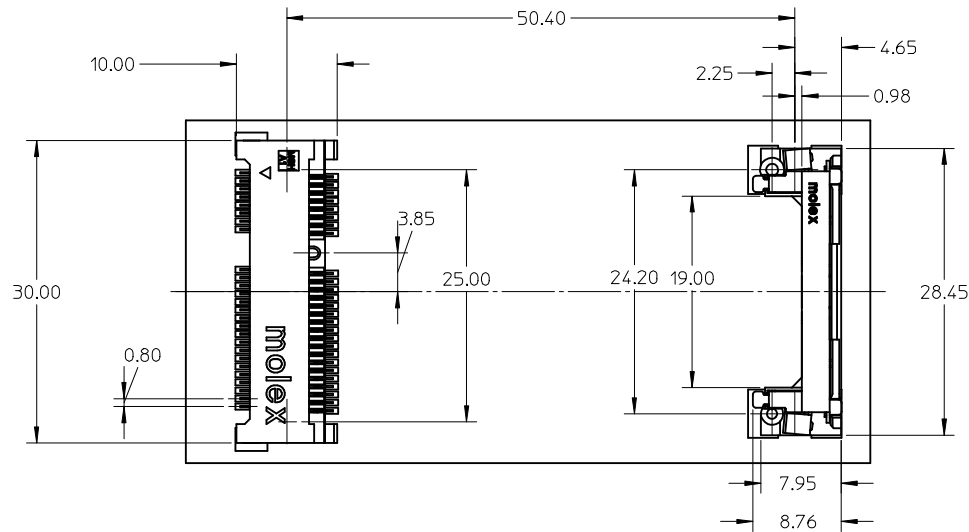
E

D

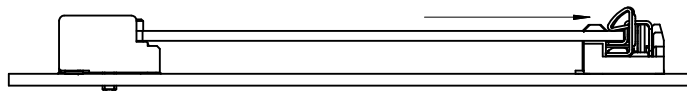
C

B

A



PUSH LATCH TO RELEASE MODULE



QUALITY SYMBOLS	
	=0
	=0

SEE SHEET 2	2014/08/07	2014/08/26	2014/08/26
EC NO: S2015-0122	DRWN:SKANG	CHKD:BOKOK	APPR:SHLENI
REV	DESCRIPTION		
T1			

QUALITY SYMBOLS	DESCRIPTION
	=0
	=0
	=0

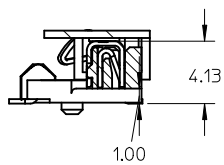
GENERAL TOLERANCES (UNLESS SPECIFIED)	
	mm INCH
4 PLACES	± --- ± ---
3 PLACES	± --- ± ---
2 PLACES	± 0.25 ± ---
1 PLACE	± 0.25 ± ---
ANGULAR ± 3 °	
DRAFT WHERE APPLICABLE MUST REMAIN WITHIN DIMENSIONS	

DIMENSION STYLE	
MM ONLY	
DRAWN BY	DATE
DAVID HU	2005/11/10
CHECKED BY	DATE
HARVEY	2005/11/10
APPROVED BY	DATE
NAGESHKN	2010/04/07
MATERIAL NO.	
480994000	
SIZE	
A3	

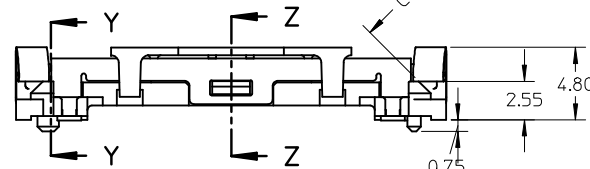
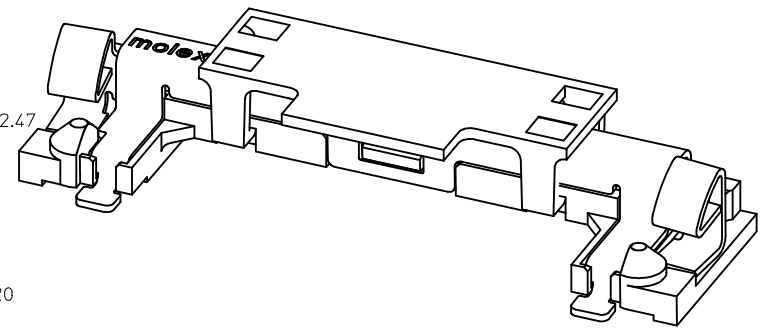
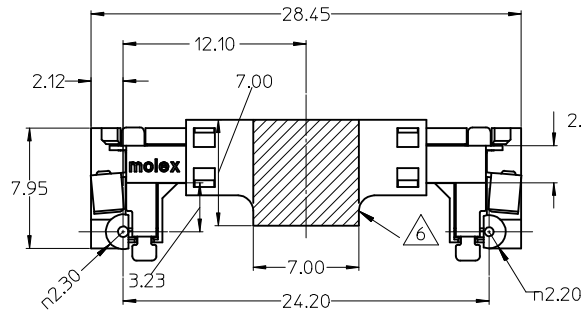
SCALE	DESIGN UNITS	THIRD ANGLE PROJECTION
NTS	METRIC	
TITLE		
LATCH FOR MINIPCI-E 4.0H 0.8MM PITCH 52 CIRCUIT WITH COVER LEAD-FREE		
MOLEX INCORPORATED		
MATERIAL NO.	DOCUMENT NO.	SHEET NO.
480994000	SD-48099-400	1 OF 3
THIS DRAWING CONTAINS INFORMATION THAT IS PROPRIETARY TO MOLEX INCORPORATED AND SHOULD NOT BE USED WITHOUT WRITTEN PERMISSION		

9 8 7 6 5 4 3 2 1

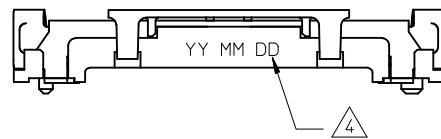
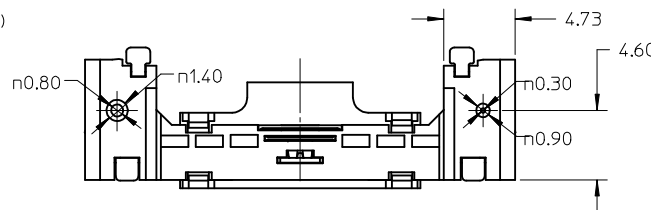
10 9 8 7 6 5 4 3 2 1



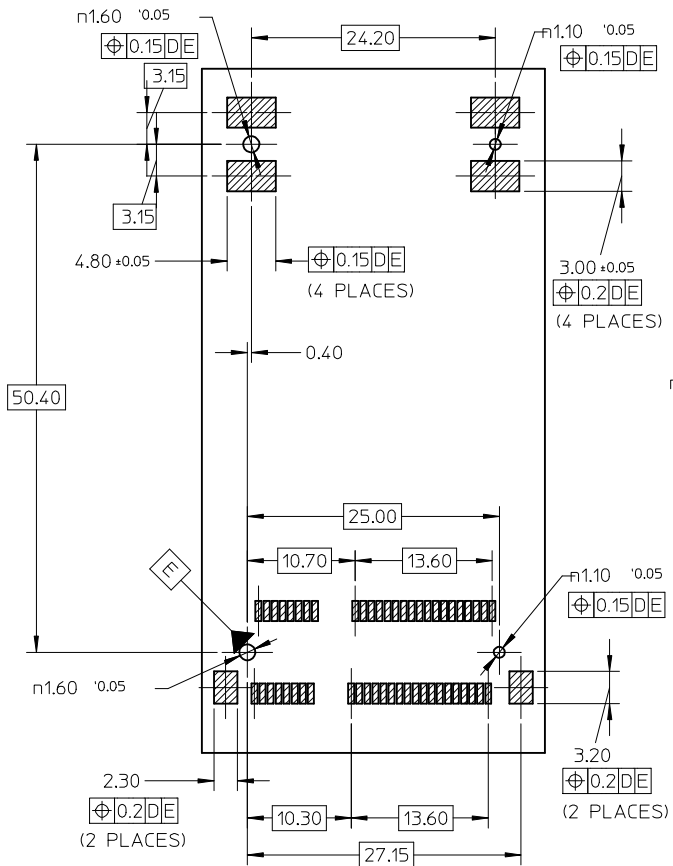
SECTION Z-Z
Scale 3:1



SECTION Y-Y
Scale 3:1



- NOTES:
- THIS LATCH USES WITH MINI PCI EXPRESS CONN.
 - HOUSING:PA46
GLASS FILLED,COLOR:BLACK UL94V-0
METAL SHELL:STAINLESS STEEL,THICKNESS:0.3MM
BEAM:STAINLESS STEEL,THICKNESS:0.3MM
 - FINISH:GOLD FLASH PLATED IN SOLDER AREA.
DATE CODE:YY:YEAR MM:MONTH DD:DATE
 - THE MOUDLE CARD REFERS TO MINI PCI EXPRESS CARD ELECTROMECHANICAL SPECIFICATION.
 - FOR PICK AND PLACE AREA.
 - MATCHED CONNECTOR:67910-0002,67910-1002
 - DATUM D IS THE TOP SURFACE OF PCB.
 - PART 48099**** COMPLIANT TO ROHS DIRECTIVE 2002/95/EC AND ELV DIRECTIVE 2000/53/EC.



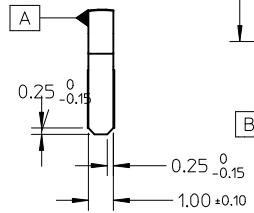
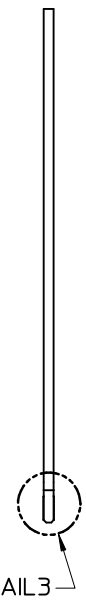
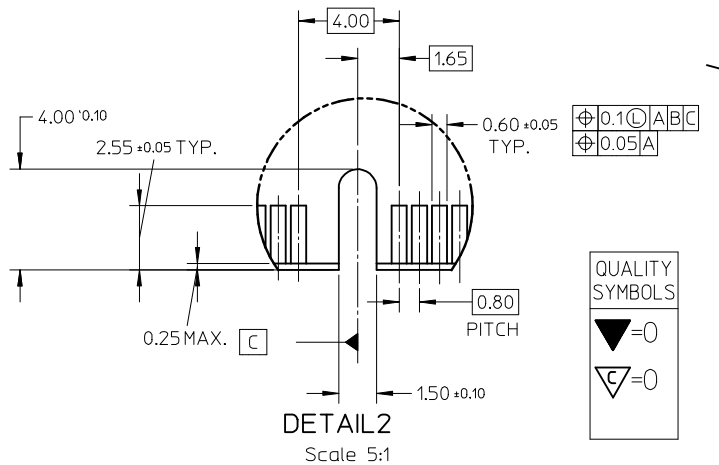
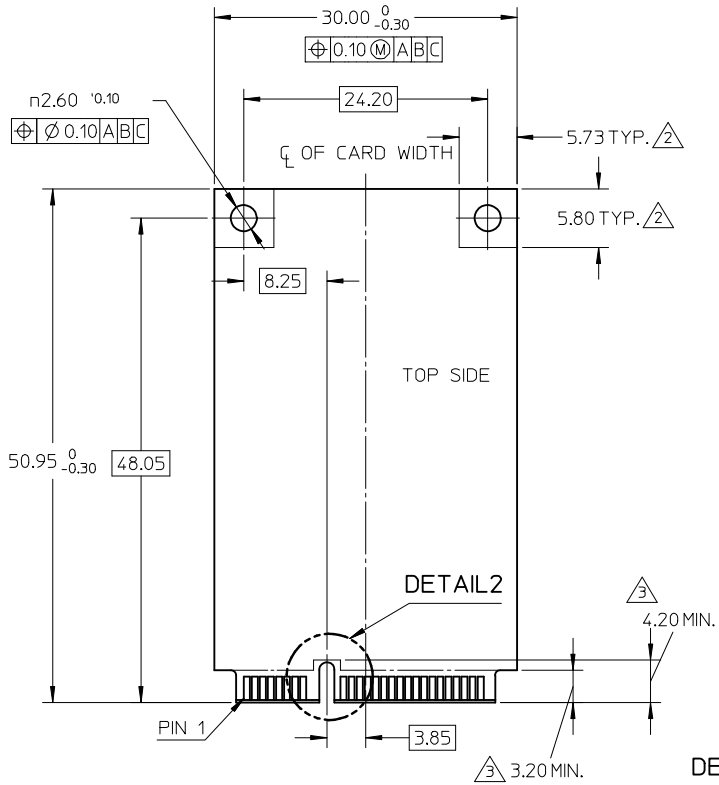
RECOMMENDED PCB LAYOUT

QUALITY SYMBOLS	
	=0
	=0

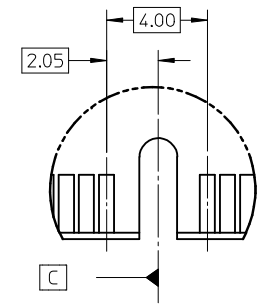
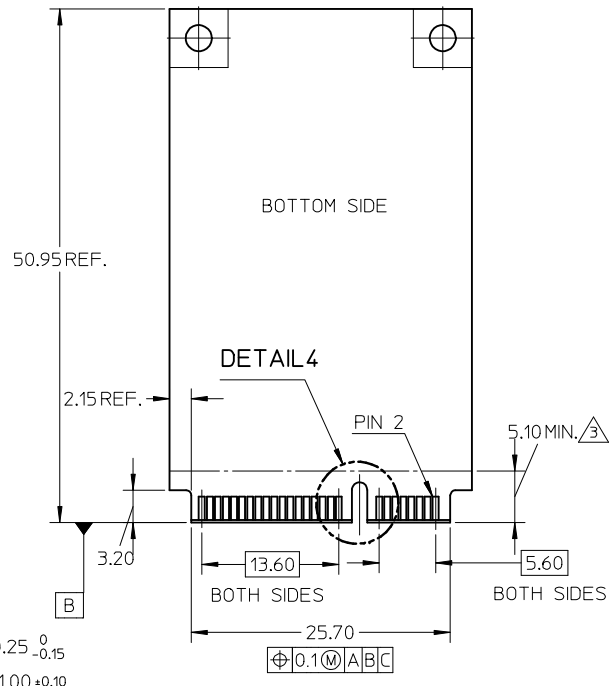
REV	DESCRIPTION	QUALITY SYMBOLS		GENERAL TOLERANCES (UNLESS SPECIFIED)		DIMENSION STYLE		SCALE	DESIGN UNITS	THIRD ANGLE PROJECTION	
		mm	INCH	mm	INCH	MM ONLY	NTS	METRIC	⊙	∠	PROJECTION
1	[C6] CORRECT VIEW EC NO: S2015-0122 DRWN:SKANG CHKD:BOKOK APPR:SHLENI	± ---	± ---	± 0.25	± ---	DAVID HU	2005/11/10	TITLE	LATCH FOR MINI PCI-E 4.0H 0.8MM PITCH 52 CIRCUIT WITH COVER LEAD-FREE		
		± ---	± ---	± 0.25	± ---	HARVEY	2005/11/10		MOLEX INCORPORATED		
		± 0.25	± ---	ANGULAR ± 3 °		NAGESHKN	2010/04/07		DOCUMENT NO.		SHEET NO.
		DRAFT WHERE APPLICABLE MUST REMAIN WITHIN DIMENSIONS		480994000		SD-48099-400		2 OF 3			
		THIS DRAWING CONTAINS INFORMATION THAT IS PROPRIETARY TO MOLEX INCORPORATED AND SHOULD NOT BE USED WITHOUT WRITTEN PERMISSION									

9 8 7 6 5 4 3 2 1

NOTES;
 1. PIN NUMBERING REFERENCE:
 ODD PINS-TOP SIDE
 EVEN PINS-BOTTOM SIDE
 2. COMPONENT AND ROUTING(ALL LAYERS)
 KEEP OUT AREA FOR HOLD DOWN SOLUTIONS
 3. COMPONENT KEEP OUT AREA FOR CONNECTOR



DETAIL 3
Scale 5:1



DETAIL 4
Scale 5:1

SEE SHEET 2 EC NO: S2015-0122 DRWN:SKANG CHKD:BOKOK APPR:SHLENI 2014/08/07 2014/08/26 2014/08/26	QUALITY SYMBOLS	GENERAL TOLERANCES (UNLESS SPECIFIED)		DIMENSION STYLE MM ONLY		SCALE NTS	DESIGN UNITS METRIC	THIRD ANGLE PROJECTION		
	$\nabla_A=0$ $\nabla_C=0$ $\nabla_P=0$	mm	INCH	DRAWN BY DAVID HU	DATE 2005/11/10	TITLE	LATCH FOR MINI PCI-E 4.0H 0.8MM PITCH 52 CIRCUIT WITH COVER LEAD-FREE MOLEX INCORPORATED			
				CHECKED BY HARVEY	DATE 2005/11/10					
		4 PLACES ± --- ± ---	3 PLACES ± --- ± ---	2 PLACES ± 0.25 ± ---	1 PLACE ± 0.25 ± ---	ANGULAR ± 3 °	APPROVED BY NAGESHKN	DATE 2010/04/07	MATERIAL NO. 480994000	DOCUMENT NO. SD-48099-400
	DRAFT WHERE APPLICABLE MUST REMAIN WITHIN DIMENSIONS			SIZE A3	THIS DRAWING CONTAINS INFORMATION THAT IS PROPRIETARY TO MOLEX INCORPORATED AND SHOULD NOT BE USED WITHOUT WRITTEN PERMISSION					