

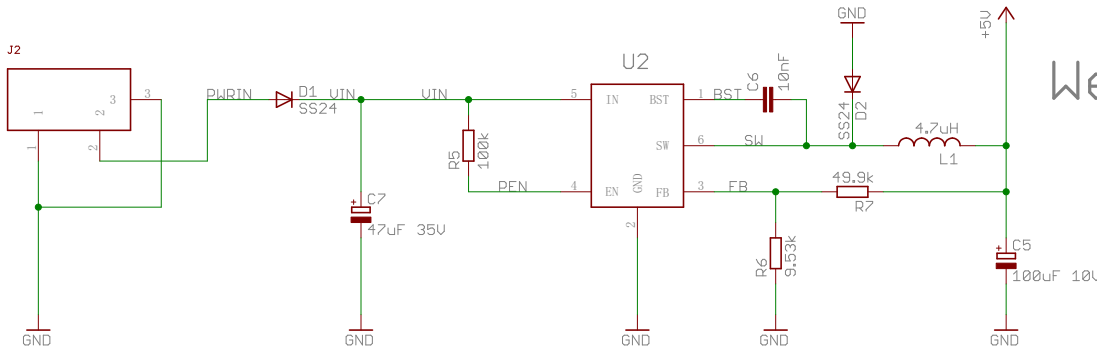
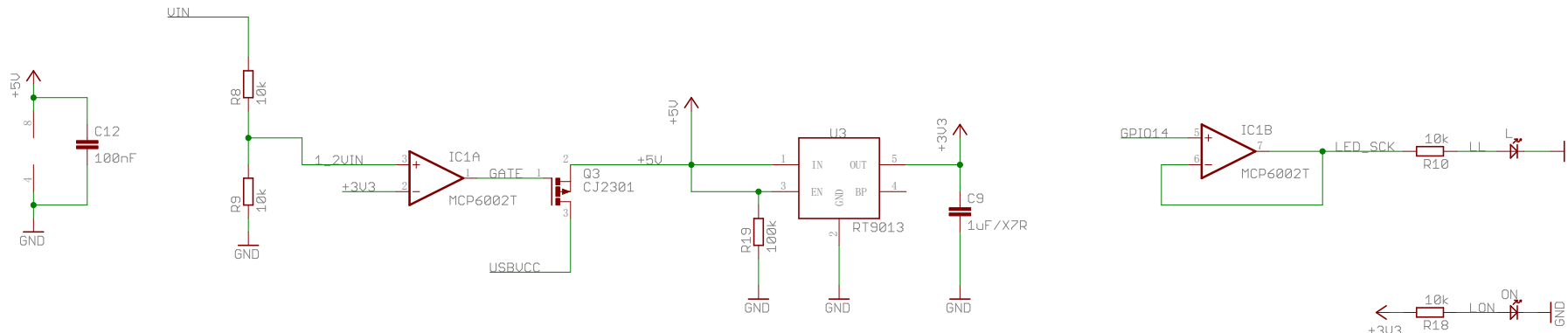
Distributed by:

ADDICARE[™]

Electronics Parts and Kits

www.addicore.com • info@addicore.com

The content and intellectual property of the attached material is the property of its owner.



WeMos D1 R2
WeMos.cc

