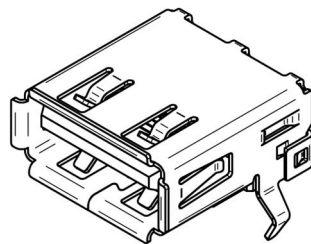
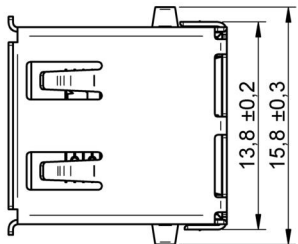
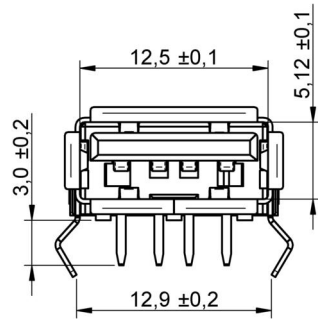
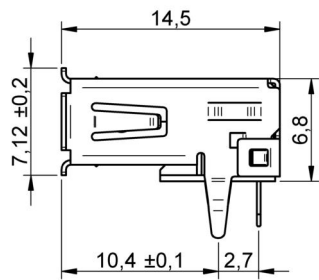
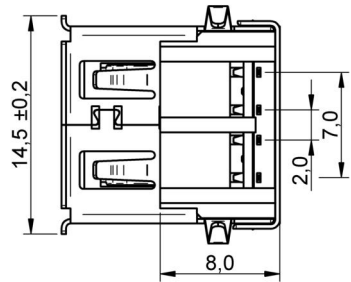


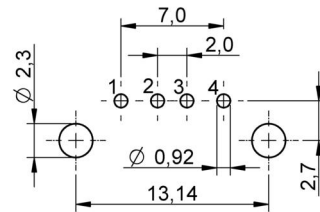


A Dimensions: [mm]



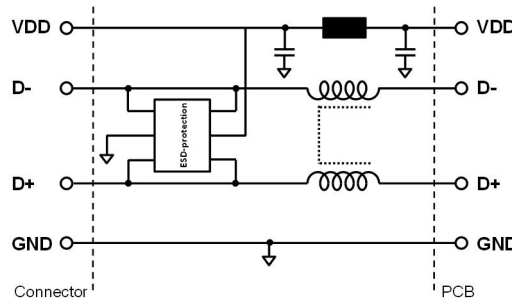
Scale - 2:1

B Recommended land pattern: [mm]



Scale - 2:1

C Schematic:



D Electrical Properties:

Properties	Test conditions		Value	Unit	Tol.
Common Mode Impedance D+D-	100 MHz	Z _{D+/D-}	100	Ω	typ.
DC Resistance VDD	@20°C	R _{DC VDD}	200	mΩ	max.
DC Resistance D+D-	@20°C	R _{DC D+/D-}	350	mΩ	max.
DC Operating voltage		V _{DC}	5	V	max.
(Reverse) breakdown voltage	I _{BY} = 1 mA	V _{BR}	6	V	min.
Low Level Contact Resistance		R _{CR}	30	mΩ	max.
Insertion Capacitance	f = 1 MHz	C _{D+/D-}	2	pF	typ.
Rated Current VDD		I _{R VDD}	1000	mA	max.
Rated Current D+D-		I _{R D+/D-}	330	mA	max.
ESD Clamping Voltage		V _{Ch D+/D-}	9.5	V	typ.
ESD Clamping Voltage		V _{Ch VDD}	9	V	typ.

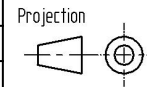
E General information:

It is recommended that the temperature of the part does not exceed +125°C under worst case conditions.

- Storage Temperature: -20°C to +60°C
- Operating Temperature: -40°C to +85°C
- Test conditions of Electrical Properties: 20°C, 33% RH if not specified differently
- Flamability rating: UL94-V0
- Quality class: 1500 mating cycles

USB 2.0 Pin Configuration

Pin	1	2	3	4	Housing
Signal name	VBUS	D-	D+	GND	Shielding



Würth Elektronik eiSos GmbH & Co. KG
 EMC & Inductive Solutions
 Max-Eyth-Str. 1
 74638 Waldenburg
 Germany
 Tel. +49 (0) 79 42 945 - 0
 www.we-online.com
 eiSos@we-online.com

DESCRIPTION	
WE-EPL USB 2.0 A Connector	
Order.- No.	SIZE
8492121	A4

