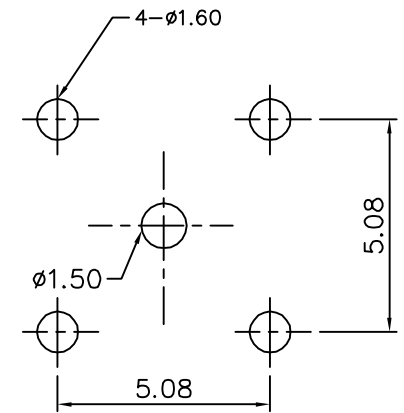
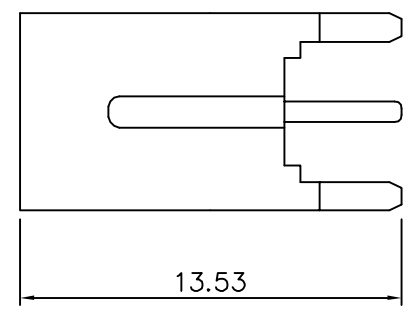
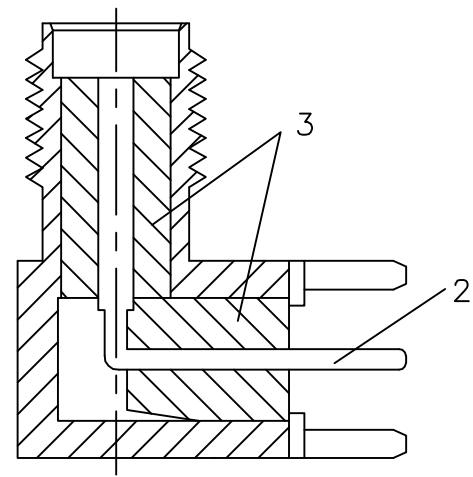
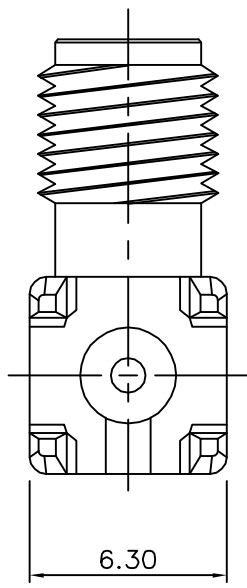
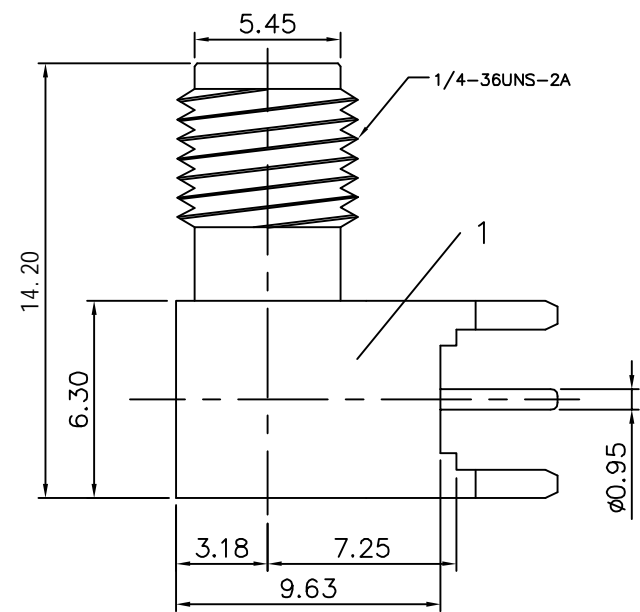


**SPECIFICATION**  
 1.Body:Zinc Alloy Gold Plated  
 2.Contact:Beryllium Copper ,30u"Gold Plated  
 3.Insulator:Teflon



Recommended PCB Hole

**AUK** A MEMBER OF AUK GROUP  
**太聯事業股份有限公司**  
**AUK CONTRACTORS CO., LTD.**

CATEGORY		APPROVED BY		UNLESS OTHERWISE SPECIFIED TOLERANCES ARE .X ±0.30 .XX ±0.20 .XXX				
PART No. SMA-JR		MEI						
DRAWING No. SMA-JR		BECKY						
SCALE NONE		DRAWING BY HZF		UNIT mm	AO	NEW RELEASE		
REV.	A0	NO.		REVISIONS	CHK	DATE		