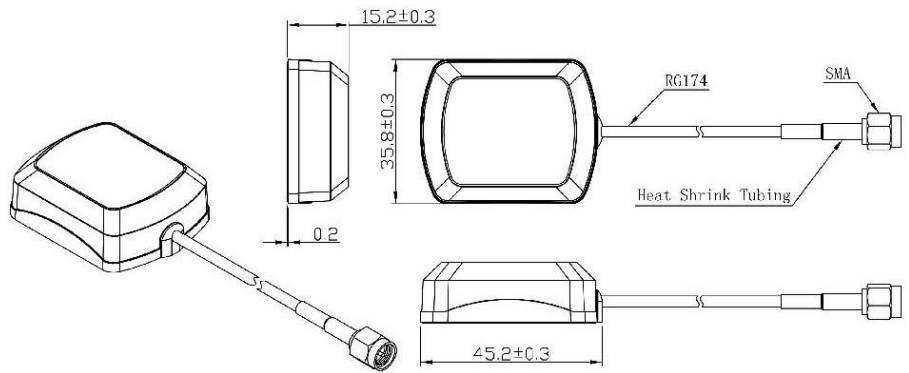


SEL-002

GPS+GLONASS Active Antenna



**DIMENSIONS**



UNIT: mm

## SPECIFICATIONS

| Item          |                          | Specifications                         |
|---------------|--------------------------|--|
| Antenna       | Center Frequency         | 1592 ± 3MHz                            |
|               | Band Width               | CF ± 5MHz                              |
|               | Polarization             | RHCP                                   |
|               | Gain                     | 2dBic (Zenith)                         |
|               | V.S.W.R                  | <1.5                                   |
|               | Impedance                | 50 Ω                                   |
|               | Axial Ratio              | 3dB (max)                              |
|               | Dimension                | 25*25*4mm                              |
| LNA           | Gain                     | 28 ± 2dB                               |
|               | Noise Figure             | <1.5                                   |
|               | Filter Insertion Loss    | <3dB                                   |
|               | Ex-band Attenuation      | 12dB@CF+50MHz/16dB@CF-50MHz            |
|               | Supply Voltage           | 2.2~5V DC                              |
|               | Current Consumption      | 5~15mA                                 |
|               | V.S.W.R                  | <2.0                                   |
| Mechanical    | Cable                    | RG174                                  |
|               | Connector                | SMA/MCX/FAKRA or others                |
|               | Radome Material          | ABS                                    |
|               | Mounting Method          | Magnet/Adhesive                        |
| Environmental | Operating Temperature    | -40°C~+85°C                            |
|               | Relative Humidity        | Up to 95%                              |
|               | Ingress Protection       | IP65-IP67                              |
|               | Vibration                | 10 to 55Hz with 1.5mm amplitude 2hours |
|               | Environmentally Friendly | ROHS Compliant                         |

**Radiation Pattern**

