

SPECIFICATION FOR APPROVAL

Customer _____

Product Name SMD 2012 Size Super Red LED

Part No. HT17-21SURC/S530-A2/TR8

Customer Part No. _____

Date 2006. 10. 19.

APPROVED SIGNATURES		

MIKWANG ELECTRONICS CO., LTD.

Rm1401, World Meridian Venture Center, #60-24,
Gasan-dong, Geumcheon-gu, Seoul, Korea

TEL +82-2-2113-7700(Rep.)/FAX +82-2-2113-7707

www.LED.co.kr/mkled7700@hanmail.net

SPECIFICATION

Products: LED LAMP
Part No.: HT17-21SURC/S530-A2/TR8

HT17-21SURC/S530-A2/TR8

FEATURES:

- Super Red LED
- 2.0mm × 1.2mm × 1.1mm SMD LED LAMP
- High luminous intensity, high reliability and long life

APPLICATIONS:

- Mobile telephones, LCD Backlight, Instruction Lighting on Car instrument and the electronic products used surface mounted construction.

ABSOLUTE MAXIMUM RATINGS (at T_A=25°C):

Parameter	Symbol	Min.	Max.	Unit
Forward Current	I _F		20	mA
Pulse Forward Current	I _{FP} *		100	mA
Reverse Voltage	V _R		5	V
Operating Temperature	Topr.	-30	+85	°C
Storage Temperature	Tstg.	-40	+85	°C
Power Dissipation	P _D			mW

*Pulse width:Max.10ms, Duty ratio: Max 1/10

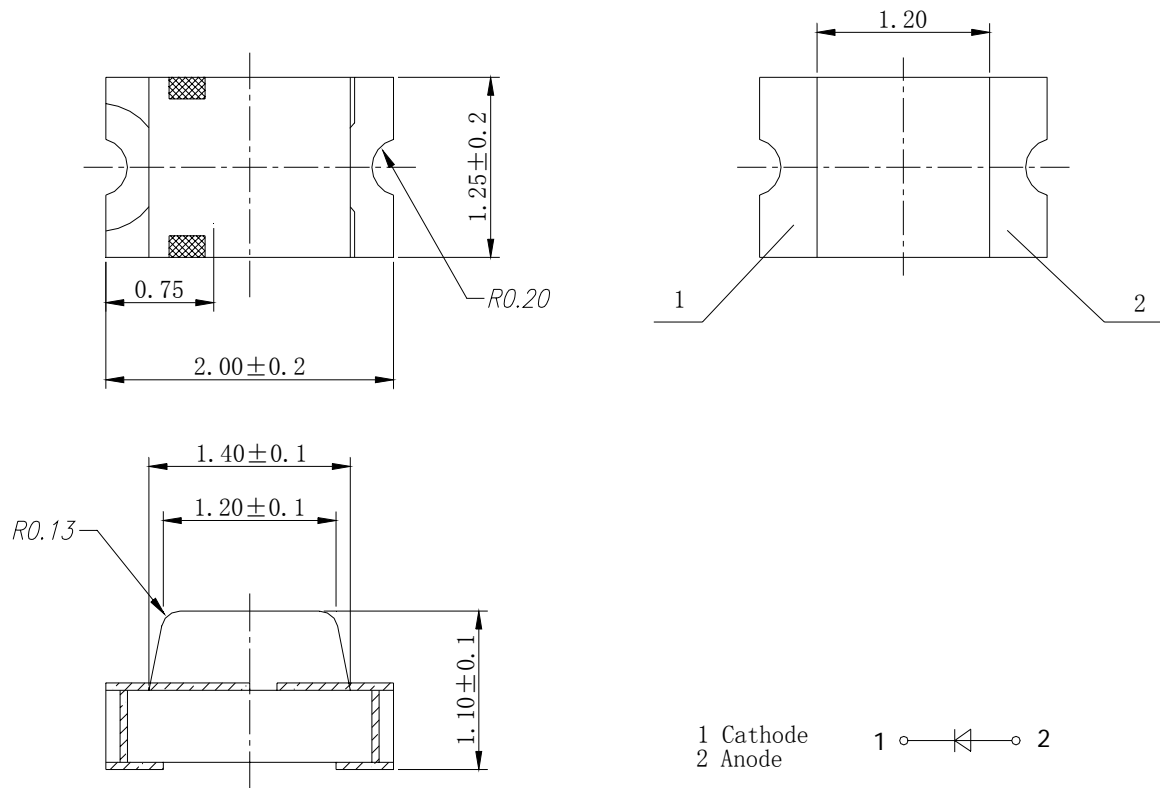
Electrical/Optical Characteristics (at T_A=25°C):

Parameter	Condition	Unit	Min.	Typ.	Max.
Forward Voltage V _F	I _F =20mA	V	1.8	2.0	2.4
Reverse Current I _R	V _R =5V	μ A			10
Peak Wavelength λ _p	I _F =20mA	nm	630	635	640
Spectrum width of half value Δ λ	I _F =20mA	nm		130	
Luminous Intensity I _V	I _F =20mA	mcd	60	70	80

SPECIFICATION

Products: LED LAMP
Part No.: HT17-21SURC/S530-A2/TR8

Package Dimensions:



- ✧ All dimensions are millimeters.
- ✧ Tolerance is 0.15mm unless otherwise noted.

SPECIFICATION

Products: LED LAMP
Part No.: HT17-21SURC/S530-A2/TR8

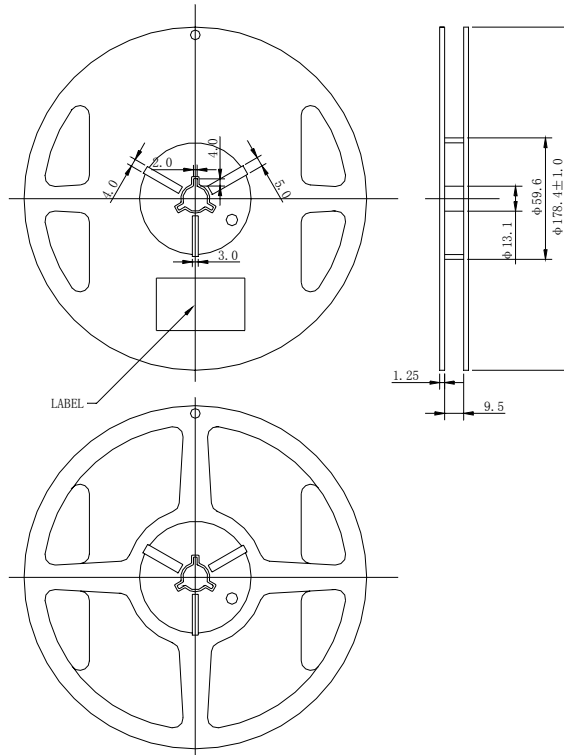


Fig.1

〈Unit: mm〉

Progressive direction

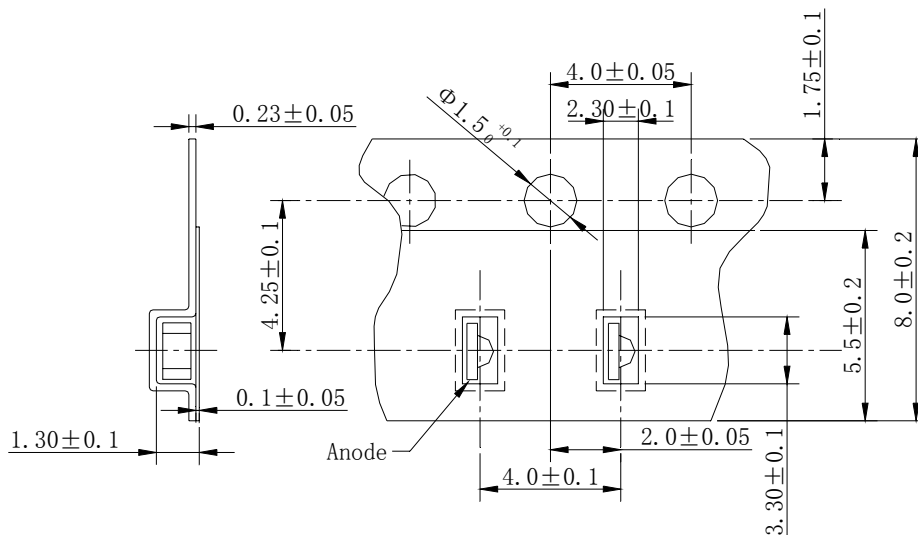
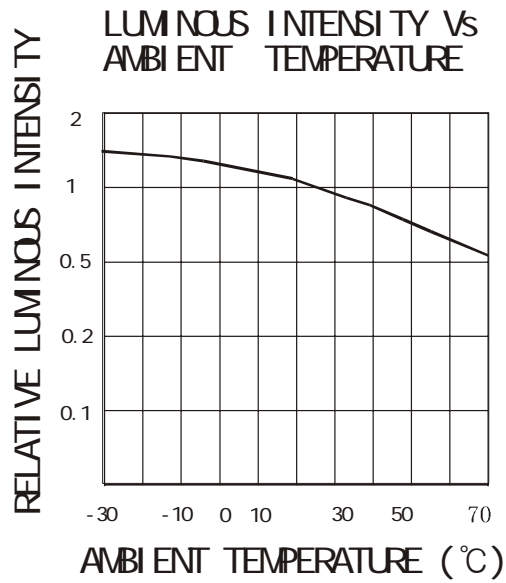
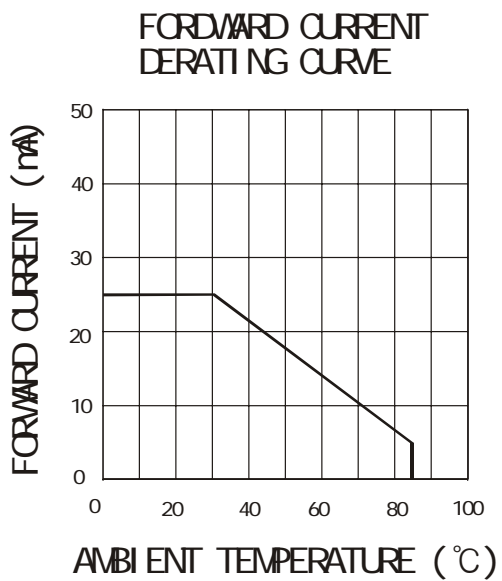
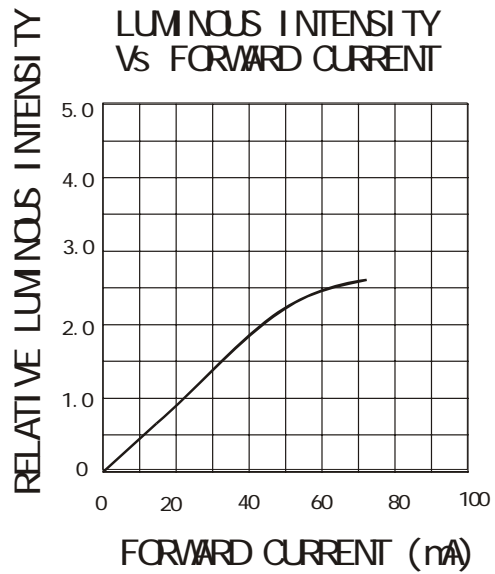
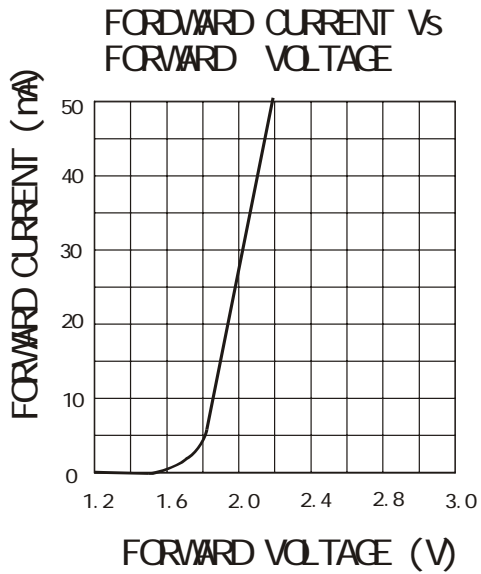


Fig.2

SPECIFICATION

Products: LED LAMP
Part No.: HT17-21SURC/S530-A2/TR8

CHARACTERISTIC CURVES:



SPECIFICATION

Products: LED LAMP
Part No.: HT17-21SURC/S530-A2/TR8

RELIABILITY TEST ITEM AND CONDITION:

No	Item	Test Condition	Result	Criteria for Judging
1	Soldering Test	$T=300^{\circ}\text{C}$ $t=3.5\pm 0.5\text{sec.}$	0/15	Area of Soldering: $\geq 95\%$
2	Rapid change of temperature followed by: damp heat, cyclic	$T_A: -40^{\circ}\text{C}$ 10min \updownarrow (2~3) min $T_B: +85^{\circ}\text{C}$ 10min 5cycle $T=(25\sim 55)^{\circ}\text{C}$ $\text{RH}: (90\sim 95)\%$ 2cycle 48h recovery time 2h	0/18	*1
3	Soldering Heat	Reflow Soldering (Fig.3)	0/15	*1
4	Electrical endurance	$I_F=25\text{mA}$ $t=1000\text{h}$	0/15	*1
5	High Temperature Storage	$T=+85^{\circ}\text{C}$ $t=1000\text{h}$	0/15	*1
6	Damp heat, cyclic	$T=25\sim 55^{\circ}\text{C}$ $\text{RH}=90\sim 95\%$ 6Cycle 144h recovery time 2h	0/20	*1

*1 Criteria For Judging the Damage

Measuring items	Symbol	Measuring conditions	Judgement criteria for failure
Forward Voltage	V_F	$I_F=20\text{mA}$	Over $U \times 1.1$
Reverse current	I_R	$V_R=5\text{V}$	Over $U \times 2$
Luminous intensity	I_V	$I_F=20\text{mA}$	Below $S \times 0.7$

U means the upper limit of specified characteristics. S means initial value.

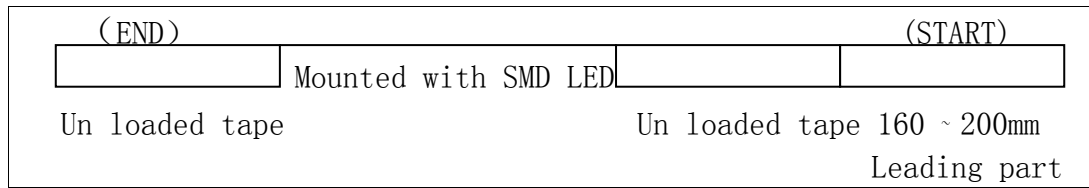
PACKAGING:

- 1) Packing material: Reel (Fig. 1)
- 2) Indication: PASS

SPECIFICATION

Products: LED LAMP
Part No.: HT17-21SURC/S530-A2/TR8

3) Details of SMD LED loaded tape



4) Loaded quantity per reel: 3, 000pcs (Fig.2)

APPLICATION NOTES:

1)Soldering:

①Manual soldering by soldering iron:

The use of a soldering iron of less than 25W is recommended and the temperature of the iron must be kept at no higher than 300°C.

②Reflow soldering:

a. The temperature profile as shown in Fig.3 is recommended for soldering SMD LED by the reflow furnace.

b. Care must be taken that the products be handled after their temperature has dropped down to the normal room temperature after soldering.

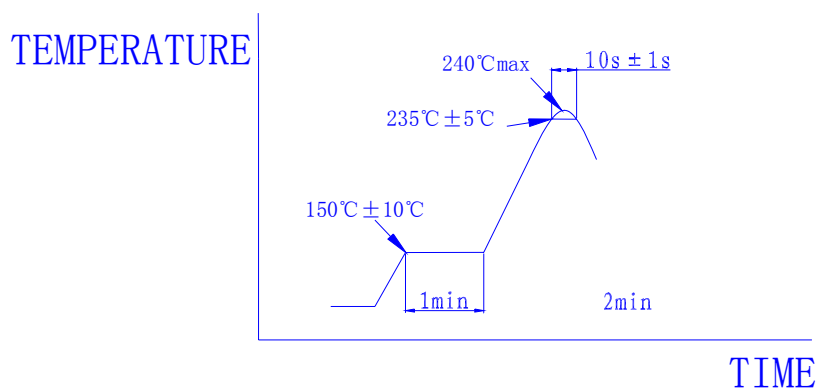


Fig.3

SPECIFICATION

Products: LED LAMP
Part No.: HT17-21SURC/S530-A2/TR8

2) Post solder cleaning:

When cleaning after soldering is needed, the following conditions must be adhered to.

① Cleaning solvents: Freon TF or equivalent or alcohol.

② Temperature: 50°C Max. for 30 seconds or
30°C Max. for 3 minutes

③ Ultrasonic: 300W Max.

3) OTHERS:

- a. Care must be taken not to cause stress to the epoxy resin portion of SMD LED while it is exposed to the high temperature.
- b. Care must be taken not to rub the epoxy resin portion of SMD LED with a hard or sharp edged article such as the sand blast and the metal hook as the epoxy resin is rather soft and liable to be damaged.

|
