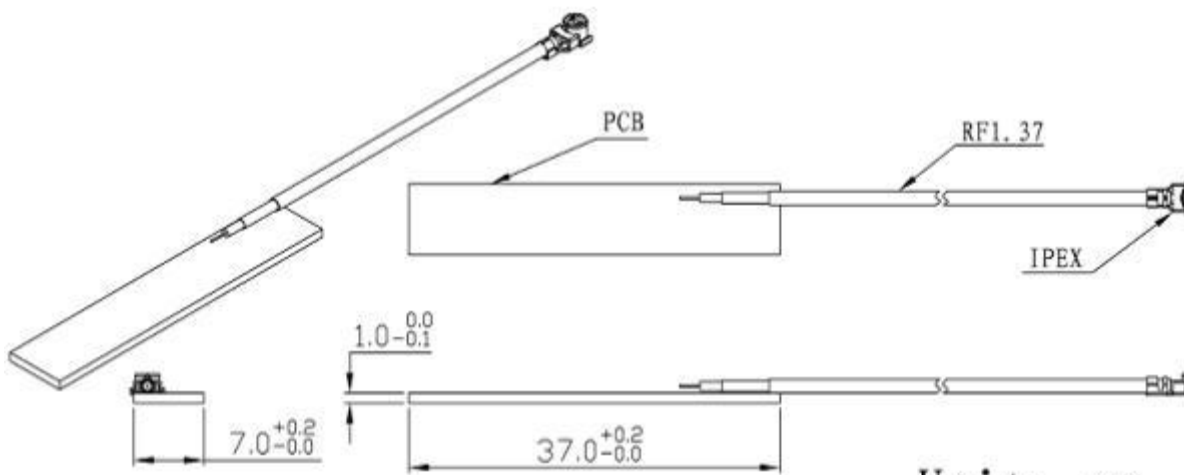


## GSM Internal Antenna



[Send Inquiry](#)



Unit: mm

## SPECIFICATIONS

| Item          | Specifications           |  |
|---------------|--------------------------|--|
| Antenna       | Frequency Range          | 824~960 1710~2170MHz                   |
|               | Polarization             | Linear                                 |
|               | Gain                     | 0dBi                                   |
|               | V. S. W. R               | <2.0                                   |
|               | Impedance                | 50 $\Omega$                            |
|               | PCB Dimension            | 37*7*1mm                               |
| Mechanical    | Cable                    | RF1.13/RF1.37 or others                |
|               | Connector                | IPEX                                   |
|               | Mounting Method          | Adhesive                               |
| Environmental | Operating Temperature    | -40°C~+85°C                            |
|               | Vibration                | 10 to 55Hz with 1.5mm amplitude 2hours |
|               | Environmentally Friendly | ROHS Compliant                         |