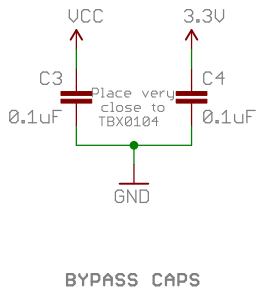
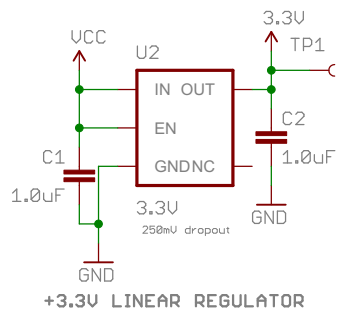
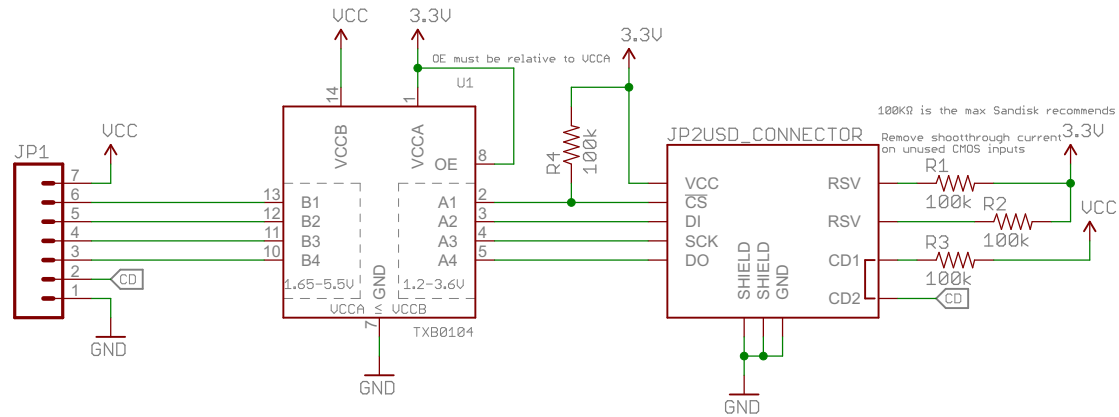


UCC +3.3V to +5.0V
 EXPECT UP TO UCC ON SIGNAL LINES
 When UCC drops below about 3.0V @ 25MHz the output wave form starts to degrade fast.



Released under the Creative Commons Attribution Share-Alike 4.0 License
<https://creativecommons.org/licenses/by-sa/4.0/>

TITLE: Shifting_microSD_v10

Design by: Brent Wilkins **REV:**
v10

Date: 2/11/2016 2:07:56 PM **Sheet:** 1/1