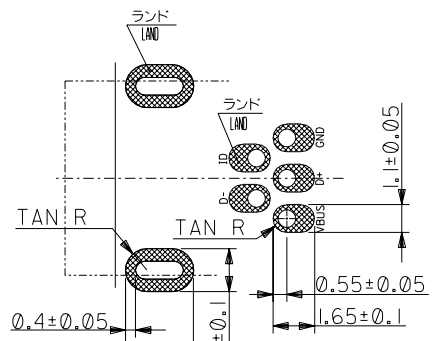
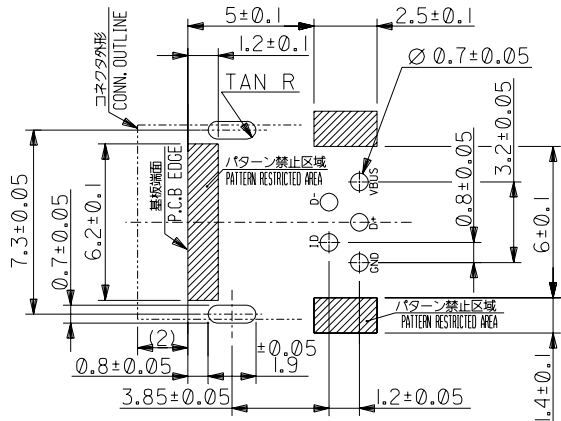
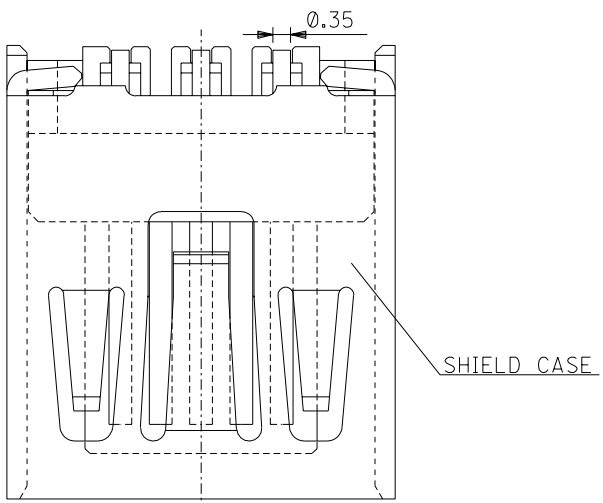
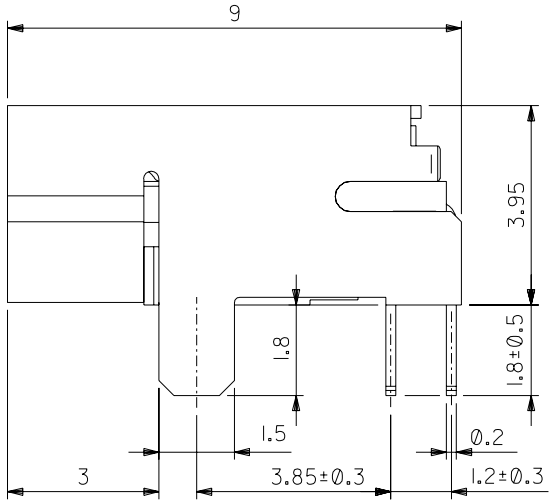
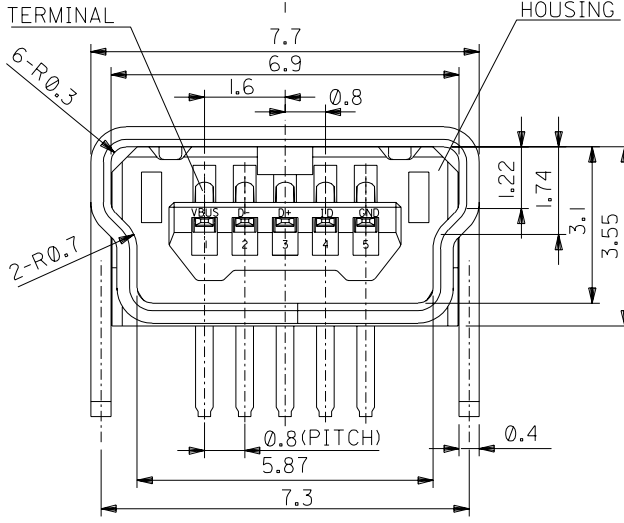


コネクタ実装側 (CONNECTOR MOUNT SIDE) 逆側 (REVERSE SIDE)



推奨基板寸法
RECOMMENDED P.C.B. PATTERN LAYOUT



- 注記 1. 材質
NOTES MATERIAL
ハウジング:ポリフタルアミド ガラス充填,黒色,UL94V-0
HOUSING:POLYPHTHAL AMIDE GLASS FILLED,BLACK,UL94V-0
ターミナル:銅合金 (t=0.2)
TERMINAL:COPPER ALLOY(t=0.2)
シールド ケース:銅合金 (t=0.4)
SHIELD CASE:COPPER ALLOY(t=0.4)
2. メッキ仕様
PLATING
ターミナル
TERMINAL
接点部:金メッキ 0.76μm MIN.
CONTACT AREA:GOLD 0.76MICRO METER MIN.
半田付け部:錫メッキ 1.0μm MIN.
SOLDER TAIL AREA:TIN 1.0MICRO METER MIN.
下地部:ニッケルメッキ 1.0μm MIN.
UNDER PLATING:NICKEL 1.0MICRO METER MIN.
シールド ケース
SHIELD CASE
:錫メッキ 1.0μm MIN.
:TIN 1.0MICRO METER MIN.
下地部:ニッケルメッキ 1.0μm MIN.
UNDER PLATING:NICKEL 1.0MICRO METER MIN.
3. 本製品は54819-0511の給フリー品である。
THIS PRODUCT IS LEAD FREE OF 54819-0511.

DO NOT SCALE DRAWING

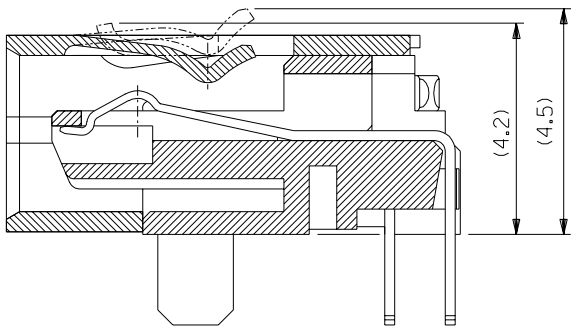
168 NO. DRWN: CH'K: APPR:	163 NO. DRWN: CH'K: APPR:	162 NO. DRWN: CH'K: APPR:	161 NO. DRWN: CH'K: APPR:	新規作成 RELEASED 160 NO. J2004-4032 DRWN: M. NAGATA '04/04/28 CH'K: K. TOJO '04/04/28 APPR: M. SASAO '04/04/28
0	0	0	0	0

MATERIAL 材料	SEE NOTES
FINISH 仕上げ	SEE NOTES
WIRE RANGE 適用線径範囲	—
INS. RANGE 被覆外径	—

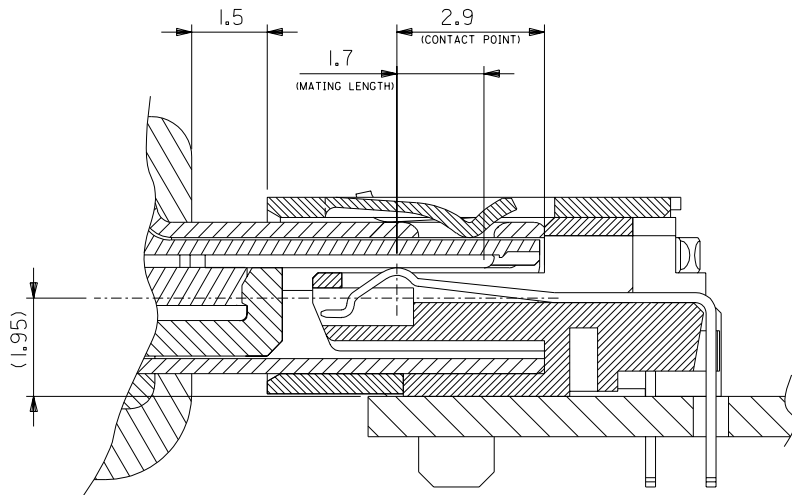
GENERAL TOLERANCES: (UNLESS SPECIFIED) 一般公差	10 UNDER 未満 ±0.2	30 UNDER 未満 ±0.25	30 OVER 以上 ±0.3
ANGLE 角度	±3°		

MODEL NO.	54819-**-19	DIMENSIONS:	<input type="checkbox"/> mm <input type="checkbox"/> INCH <input checked="" type="checkbox"/> mm ONLY	SHT	REV
DESIGN UNITS	<input checked="" type="checkbox"/> mm <input type="checkbox"/> INCH	PROJECTION	<input checked="" type="checkbox"/> 1st ANGLE	MATERIAL NO. 54819-0519	
DRAWN BY & DATE	M. NAGATA '04/04/27	CHECKED BY & DATE	K. TOJO '04/04/27	TITLE: USB SERIES MINI-B RECEPTACLE ASS'Y -LEAD FREE-	
APPROVED BY & DATE	M. SASAO '04/04/27	MOLEX INCORPORATED			
CAD FILENAME	SD-54819-026.S01	MATERIAL NO.	SEE CHART	DRAWING NO.	SD-54819-026
MATERIAL NO. SEE CHART				DRAWING NO.	SD-54819-026
SD-54819-026.S01				SHEET NO.	1 OF 2

DWG. NO. SD-54819-026



SECTION



MATING

DO NOT SCALE DRAWING

164 NO. DRWN: CH'K: APPR: 163 NO. DRWN: CH'K: APPR: 162 NO. DRWN: CH'K: APPR: 161 NO. DRWN: CH'K: APPR: 160 NO. DRWN: CH'K: APPR: SEE SHEET 1	MATERIAL 材料 SEE NOTES	GENERAL TOLERANCES: (UNLESS SPECIFIED) 一般公差 10 UNDER 未滿 ±0.2 10 OVER 30 UNDER 未滿 ±0.25 30 OVER 以上 ±0.3 ANGLE 角度 ±3°	MODEL NO. 54819-**-19	DIMENSIONS: <input type="checkbox"/> mm <input type="checkbox"/> INCH <input checked="" type="checkbox"/> mm ONLY	SHT 2 REV 2
			SCALE 10 : 1 DESIGN UNITS <input checked="" type="checkbox"/> mm <input type="checkbox"/> INCH	2888 PROJECTION 2888 PROJECTION	DRAWN BY & DATE M.NAGATA '04/04/28 CHECKED BY & DATE K.TOJO '04/04/28 APPROVED BY & DATE M.SASAO '04/04/28
WIRE RANGE 適用電線範圍 #	FINISH 仕上り SEE NOTES		MOLEX INCORPORATED	MATEL NO. SEE CHART DRAWING NO. SD-54819-026	SHEET NO. 2 OF 2
INS. RANGE 被覆外径 #			THIS DRAWING CONTAINS INFORMATION THAT IS PROPRIETARY TO MOLEX INCORPORATED AND SHOULD NOT BE USED WITHOUT WRITTEN PERMISSION.		SIZE B