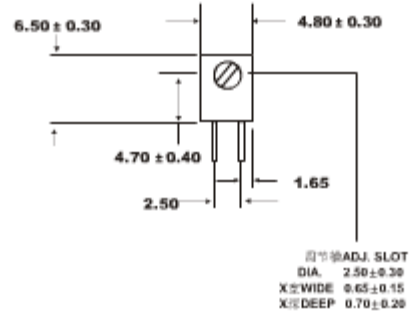
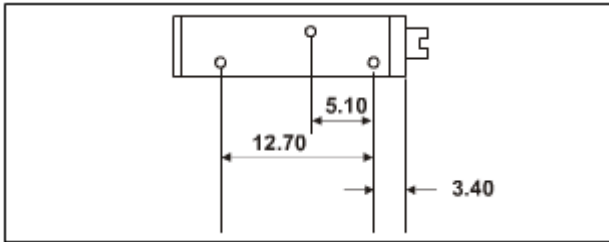
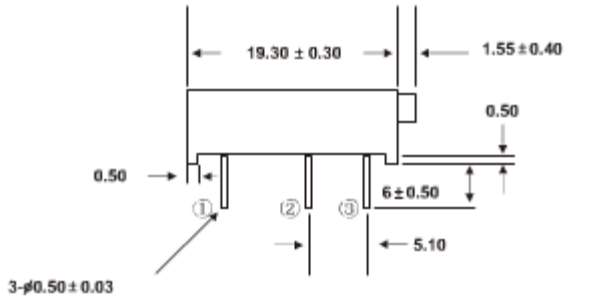
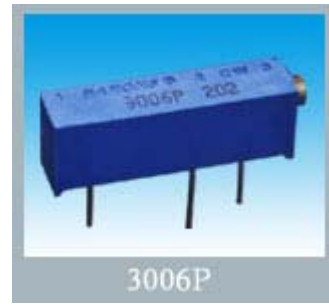


4.8×19 Rectangular/Multiturn/Trimming Potentiometer

-- 3006P--

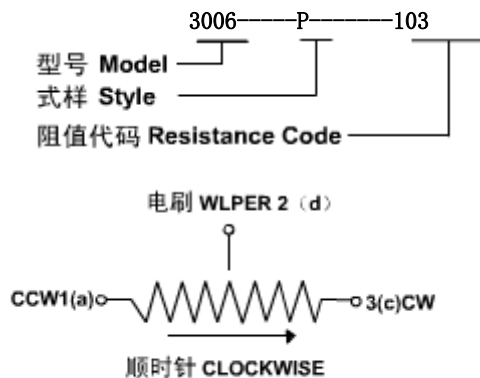


Standard Resistance Table

Resistance (Ohms)	Resistance Code
10	100
20	200
50	500
100	101
200	201
500	501
1,000	102
2,000	202
5,000	502
10,000	103
20,000	203
25,000	253
50,000	503
100,000	104
200,000	204
250,000	254
500,000	504
1,000,000	105
2,000,000	205

Special resistances available

How To Order



图中公式: 除注明外均为 ±0.25
Tolerance is ± 0.25 if no identification

Electrical Characteristics

- Standard Resistance Range.....50Ω~2MΩ
- Resistance Tolerance.....±10%
- Absolute Minimum Resistance.....≤1%R或10Ω
- Contact Resistance Variation.....CRV≤3%或5Ω
- Insulation Resistance.....R1≥1GΩ(100Vac)
- Withstand Voltage.....640Vac
- Effective Travel.....22 turns nom

Environmental Characteristics

- Power Rating, 315 volts max
.....0.75W@70°C,0W@125°C
- Temperature Range.....-55°C~125°C
- Temperature Coefficient.....±250ppm/°C
- Temperature Variation.....-55°C,30min,+125°C
.....30min 5cycles
.....ΔR≤5%R,Δ(Uab/Uac)≤5%
- Vibration.....10~500Hz,0.75mm,6h,
.....ΔR≤2%R, Δ(Uab/Uac)≤3%R
- Collision.....390m/s²,4000cycles,
.....ΔR≤2%R
- Electrical Endurance at 70°C.....0.75W@70°C
.....1000h,ΔR≤5%R,CRV≤3%或5Ω
- Rotational Life.....200cycles
.....ΔR≤10%R,CRV≤3%或5Ω