

1575.42 MHz GPS Active Antenna¹

Key Features:

Broad Frequency Range:	1575.42 MHz
High Gain:	27 dB
Low Noise Figure	1.5 dB
Single DC Supply:	12 mA @ +3 to +5V
Package:	Magnetic mount, 3 meter cable, SMA male
Built-in Functions:	Built-in filter, Bias-T

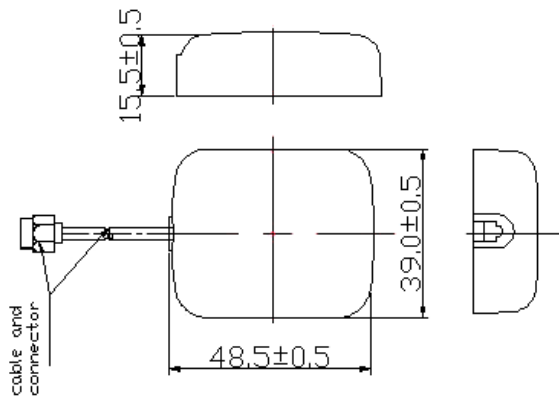


Product Specifications: (at +25 °C)

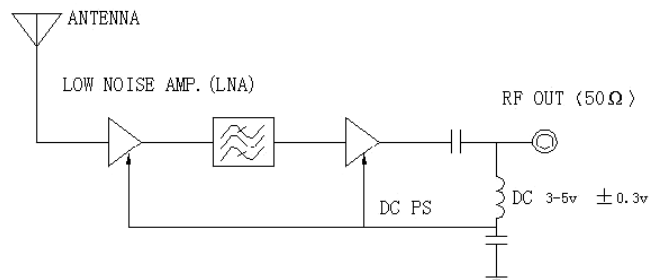
Testing Item	Test Condition	Min	Nom	Max	Unit
Antenna Specifications					
Center Frequency (Fo)		1572.42	1575.42	1578.42	MHz
Frequency Bandwidth (BW)			+/- 5		MHz
VSWR	1575.42 MHz		1.5:1		
Off Band Attenuation	Fo +/- 100 MHz	30			dB
Impedance			50		ohms
Peak Gain	Based on 7x7 cm ground plane	30			dBic
Gain Coverage	-90°<0<+90°(over 75% Volume)	-4			dBic
Polarization			RHCP		
LNA Specifications					
Gain (G)	1575.42 MHz		27		dB
Noise Figure (NF)	1575.42 MHz		1.5		dB
VSWR	1575.42 MHz			2.0:1	
DC Voltage		3		5	V
DC Current			12	15	mA
Environmental Specification					
Working Temperature		-40		+85	°C
Storage Temperature		-40		+100	°C
Vibration	Sine sweep (0-pk) 10~50~10 Hz each axis		1		g
Humidity		95%		100%	RH
Weatherproof			100%		
MTBF			TBD		
Mechanical Specification					
Weight				100	gram
Size			50x39x16		mm
Cable			3		meters
Connector			SMA		
Mounting			Magnetic base		
Color			Black		

¹ Specifications are subject to change without notice.

Outline Drawing (in mm)



Block Diagram



Richardson Electronics
40W267 Keslinger Road
P.O. Box 393
LaFox, IL 60147
Telephone: (800) 737- 6937
(630) 208-3637
Fax: (630) 208-2550
Internet: rfwireless.rell.com
E-Mail: rw@rell.com

IMPORTANT NOTICE

RICHARDSON ELECTRONICS, LTD AND ITS AFFILIATES RESERVE THE RIGHT TO MAKE CHANGES TO THE PRODUCT(S) OR INFORMATION CONTAINED HEREIN WITHOUT NOTICE. RICHARDSON ELECTRONICS ASSUMES NO RESPONSIBILITY FOR ANY ERRORS WHICH MAY APPEAR IN THIS DOCUMENT.

WARRANTY INFORMATION APPLICABLE TO THE PRODUCT IDENTIFIED HEREIN IS AVAILABLE UPON REQUEST. NOTHING CONTAINED HEREIN SHALL CONSTITUTE A WARRANTY, REPRESENTATION OR GUARANTEE OF ANY KIND. RICHARDSON ELECTRONICS EXPRESSLY DISCLAIMS ALL OTHER WARRANTIES, EXPRESS AND/OR IMPLIED INCLUDING BUT NOT LIMITED TO WARRANTIES OF MERCHANTABILITY, AND OF FITNESS FOR A PARTICULAR PURPOSE, USE OR APPLICATION.

NO PART OF THIS DOCUMENT MAY BE COPIED OR REPRODUCED IN ANY FORM OR BY ANY MEANS WITHOUT THE PRIOR WRITTEN CONSENT OF RICHARDSON ELECTRONICS, LTD.

WARNING

RICHARDSON ELECTRONICS PRODUCTS ARE NOT INTENDED FOR USE IN LIFE SUPPORT APPLIANCES, DEVICES OR SYSTEMS. USE OF A RICHARDSON ELECTRONICS PRODUCT IN ANY SUCH APPLICATION WITHOUT WRITTEN CONSENT IS PROHIBITED.

Available exclusively from Richardson Electronics, Ltd. - 800-737-6937 (U.S. & Canada) - 630-208-3637 (International) - or visit www.rfwireless.rell.com. See important product notice on last page of this document.

Internal Richardson Document #	Origination Date: November 2005	Rev: 1A Date: March 2007	Page 2/2
--------------------------------	------------------------------------	-----------------------------	----------