

1

2

3

4

5

Specifications:

Current rating:1 Amps

Dielectric Withstanding:AC 500V

Operating Temperature:-25°C ~ +260°C

Contact resistance:20mohm max.

Insulation resistance:5,000Mohm min.

Materials:

Insulator:Nylon 6T(UL94V-0)

Contact material:Phosphor Bronze

Plating:Gold flash

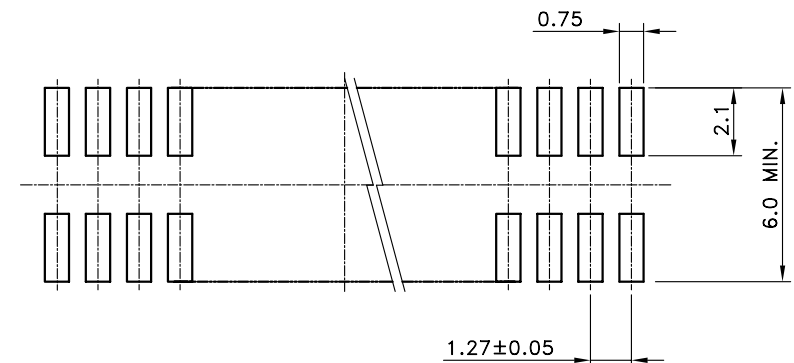
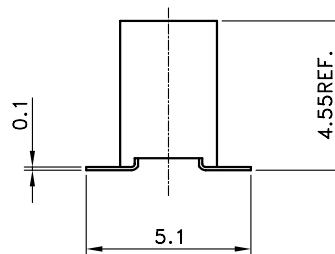
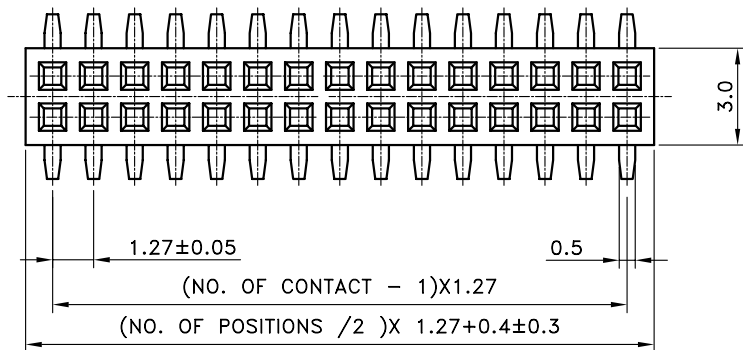
HOW TO ORDER

2200SB-XXG-SM-45

GOLD FLASH

NO. OF POSITION

SERIES NUMBER



P.C.B. LAYOUT

A

B

C

D

				DRAWN: Jerry Chen	GENERAL TOLERANCE: .X=±0.2 .XX=±0.15	KCC-KELTRON CONNECTOR CO.	
E				CHECKED:	UNIT: MM		
D					SCALE:	SMD TYPE	A4
C				APPROVAL:	SHEET: 1 / 1		
B	12-03-2002	2200SB-XXG-SM-45	Jerry Chen		PROJECTION:	2200SB-XXG-SM-45	
A	06-12-2001	2200SB-XXG-SM-45	Jerry Chen				
REV	DATE	FILE	BY				